

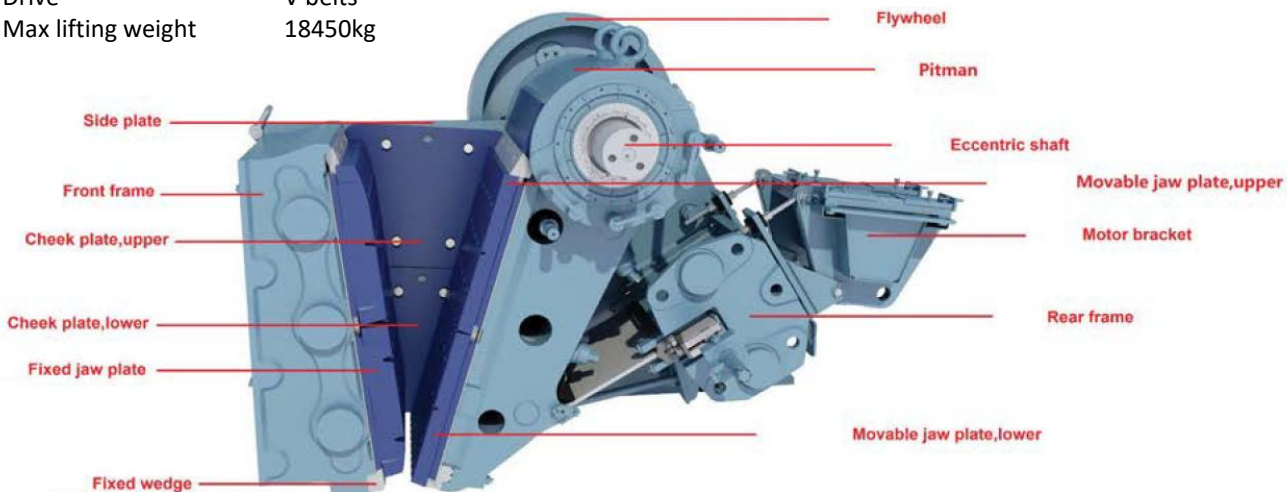
TECHINAL DETAILS

Model	SJC140 Base Unit Jaw Crusher
Capacity	325-840tph
Feed opening (W x H)	1400 x 1070mm
Max feed size	860mm
Adjustment	Hydraulic wedges
Rotate speed	220rpm
CSS range	125-250mm
Installed power	200kW
Drive	V belts
Max lifting weight	18450kg

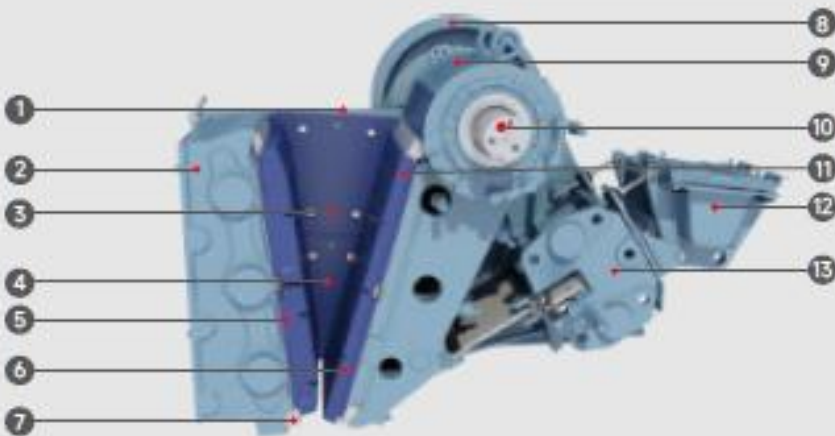
DIMENSIONS

Width	4810mm
Length	3418mm
Height	4441mm
Weight	57,530kgs approx.

Note: Weight includes basic crusher, motor and Anchoring fixing, V-belts for drive, starter cabinet Motor support.

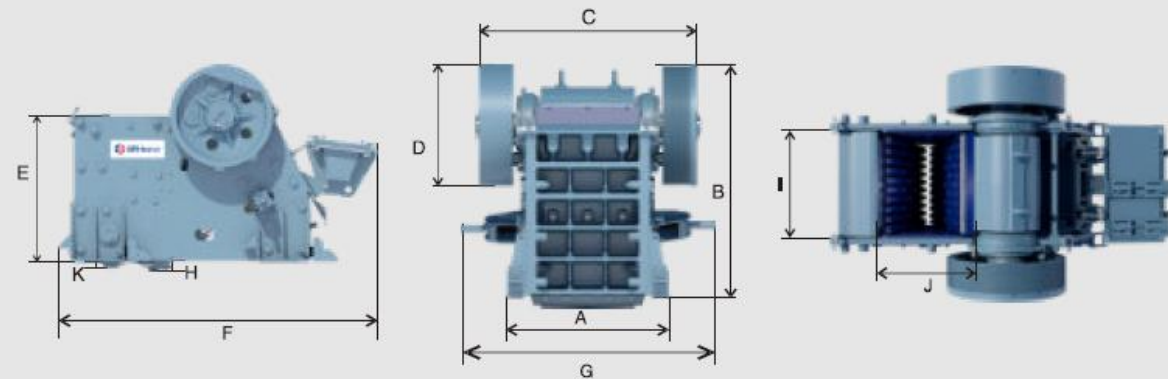


Main Components



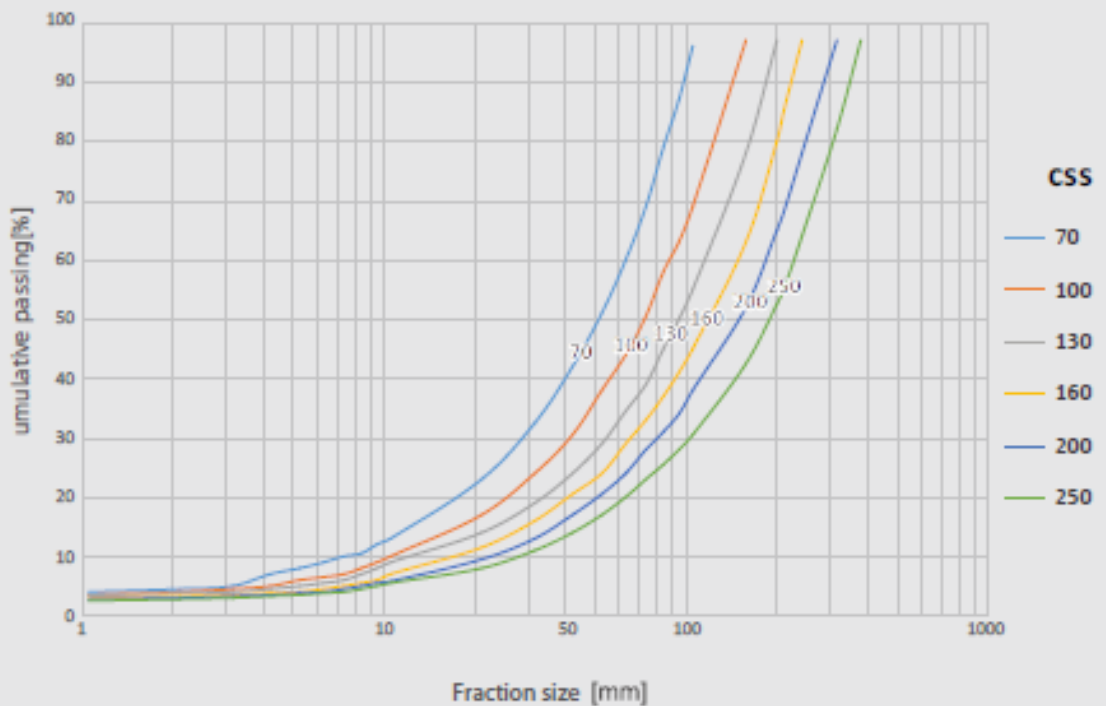
- 1 SIDE PLATE
- 2 FRONT FRAME
- 3 CHEEK PLATE, UPPER
- 4 CHEEK PLATE, LOWER
- 5 FIXED JAW PLATE
- 6 MOVABLE JAW PLATE, LOWER
- 7 FIXED WEDGE
- 8 FLYWHEEL
- 9 PITMAN
- 10 ECCENTRIC SHAFT
- 11 MOVABLE JAW PLATE, UPPER
- 12 MOTOR BRACKET
- 13 REAR FRAME

Overall Dimensions

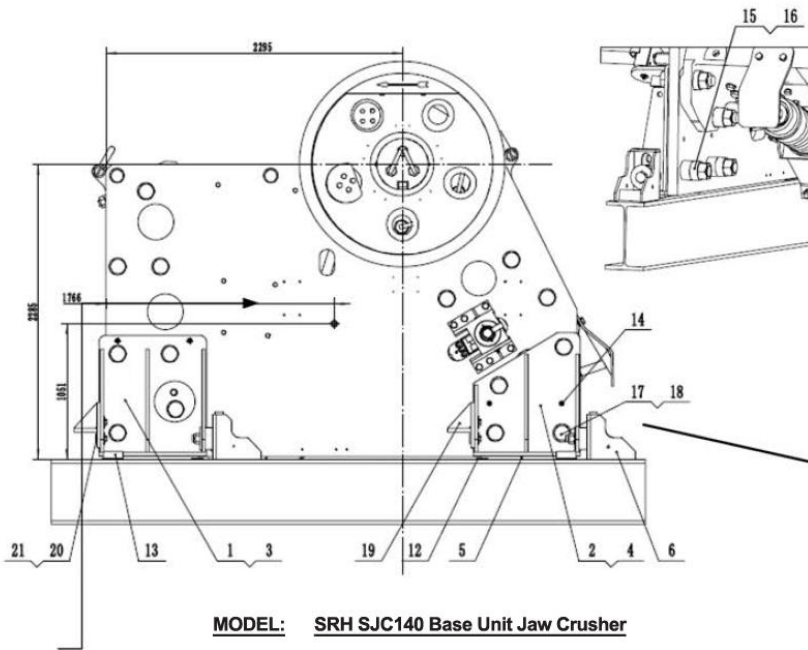


A	2105
B	3503
C	3010
D	1600
E	2260
F	4400
G	3328
K	119
H	164
I	1400
J	1070

Product Gradation Curve

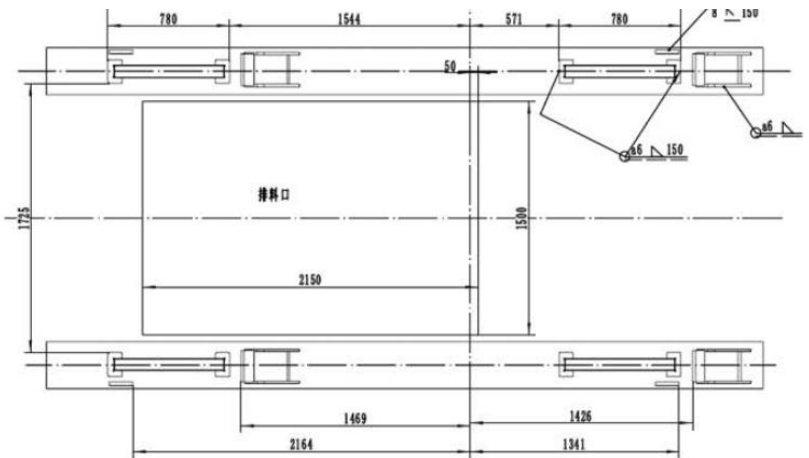
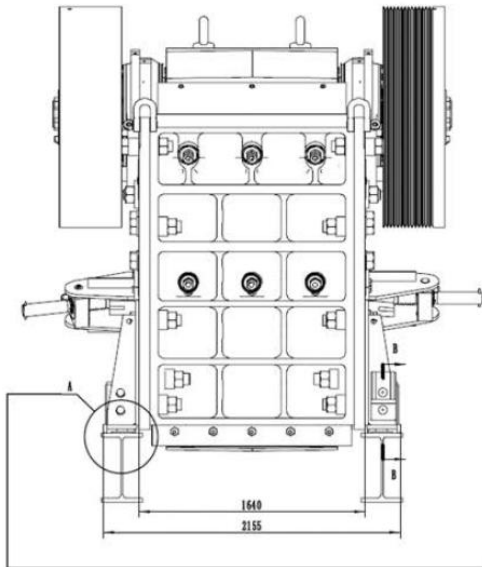
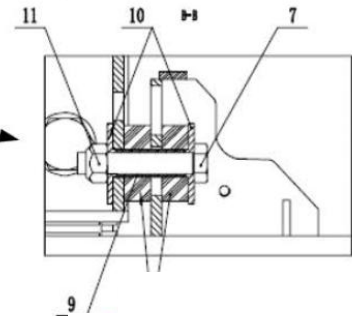


SJC118 JAW CONFIGURATION



MODEL: SRH SJC140 Base Unit Jaw Crusher

19	SJC140-05-14	expanding frame	2	Welding part	27	54.00
18	Q18125	gasket type 4-12 2034-367	7	Steel	1	7.00
17	GB/T5782-86	hexagon bolt M10X120	4	65	6	24.00
16	SJC140-01-09	base140X75	4	Q235a	6.0	24.00
15	GB/T6170-87	bar nut M10	4	65	1.2	4.80
14	GB/T819.1	elastic cylindrical pin, hex agy 20379	4	65	0.2	0.80
13	SJC140-05-11	stop piece	4	Q245D	1.7	6.80
12	SJC140-05-07-02	plate	2	Q235A	0.3	6.00
11	GB/T888.1	large diameter ball bearing	4	65	1.0	4.00
10	SJC140-05-09	gasket	8	Q235A	2.3	9.20
9	SJC140-05-08	drive pipe	4	Q235A	1	4.00
8	SJC140-05-07	rubber spring	4	rubber	1.4	5.60
7	GB/T5782-82	hexagon bolt M10X100	4	20	4.8	19.20
6	SJC140-05-06	slipping frame	4	Welding part	33.2	132.80
5	SJC140-05-05	rubber cushion assembly	4		6.8	26.40
4	SJC140-05-04	support II	1	Welding part	213	213.00
3	SJC140-05-03	support III	1	Welding part	242	242.00
2	SJC140-05-02	support I	1	Welding part	213	213.00
1	SJC140-05-01	support I	1	Welding part	242	242.00



MODEL: SRH SJC140 Base Unit Jaw Crusher